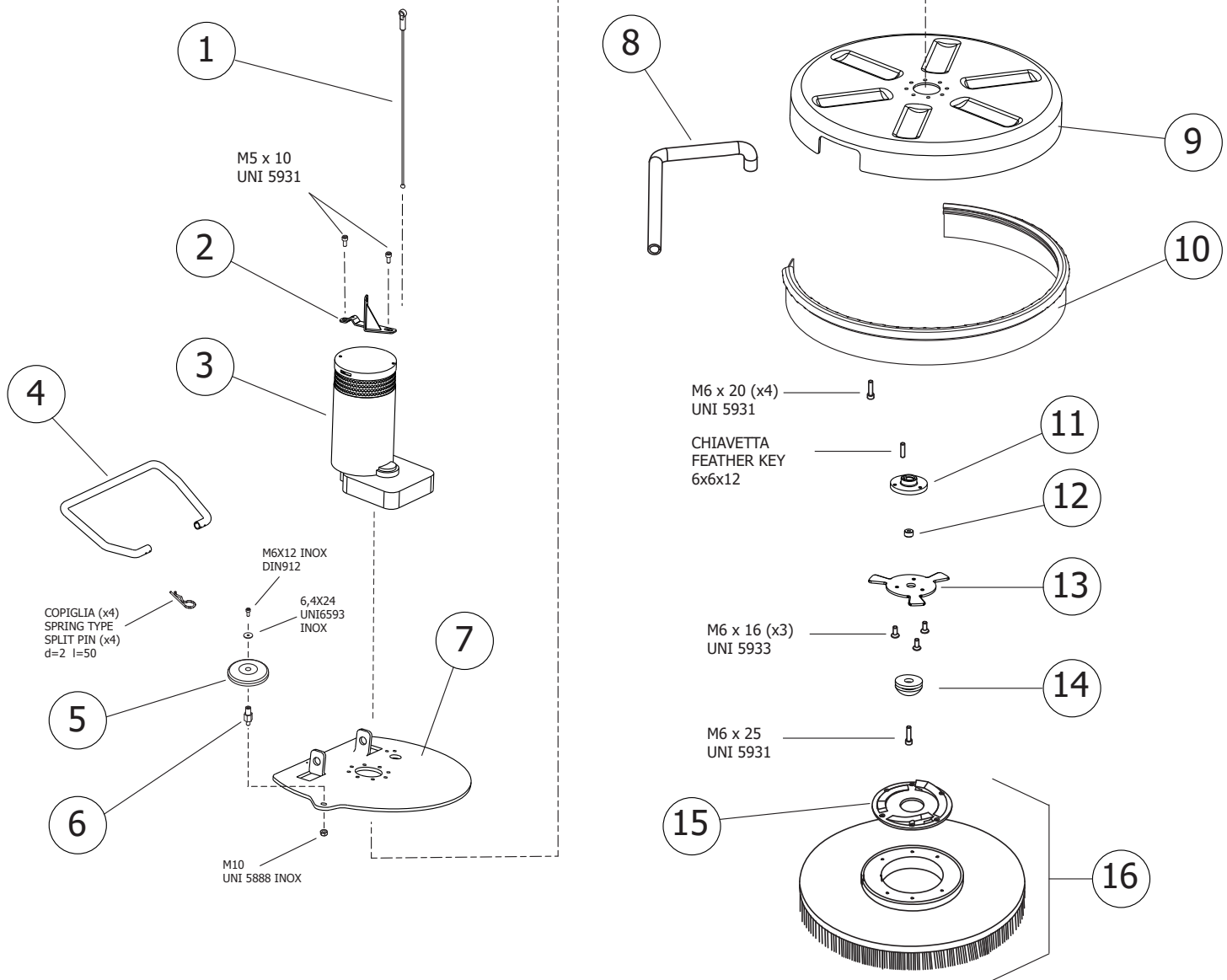


E8527P001/01



BRUSH PLATE - Content filters: validity 26/05/2020

R55092105-1 - BRUSH PLATE

Validity: from 27/11/2012 to 01/01/3000

Pos.	Code	Substituted by	Q.ty	Purchasable	Min. Q.ty	For mainten.	Description
001	3.099.1730		1	Yes	1	EXT	S/S CABLE L=240mm
002	4.507.1482		1	Yes	1		BRACKET FOR MOTOR LIFTING CABLE-FREE EVO
003	5.501.0084	6.505.0094	1	Yes	1		MOTOR+GEARBOX 230V AC 550W 3,7A 160RPM (HY-183J)
004	4.507.1465		1	Yes	1		BRUSH PLATE LIFTING BAR - FREEEVO
005	4.508.0224		1	Yes	1	EXT	BUMPER WHEEL D.110 GREY
006	4.507.0308		1	Yes	1		SUPPORT FOR BUMPER WHEEL
007	4.507.1463		1	Yes	1		BRUSH PLATE
008	3.099.0865		1	Yes	1		HOSE ARMONVILLE D.int.=14 L=580
009	4.508.1543		1	Yes	1		BRUSH COVER 50CM
010	4.508.1554		1	Yes	1	EXT	BUMPER FREE EVO
011	4.507.1470		1	Yes	1		BUSHING
012	4.507.1469		1	Yes	1		BUSHING
013	4.507.0300		1	Yes	1		BRUSH COUPLING
014	5.511.0867		1	Yes	1		BRUSH COUPLING ASSEMBLY
015	4.508.1192		1	Yes	1	EXT	UNIFIED FLANGE FOR BRUSH COUPLING
016	5.511.1097		1	Yes	1	ORD	PPL BRUSH 480 MM. W/UNIFIED COUPLING FLANGE